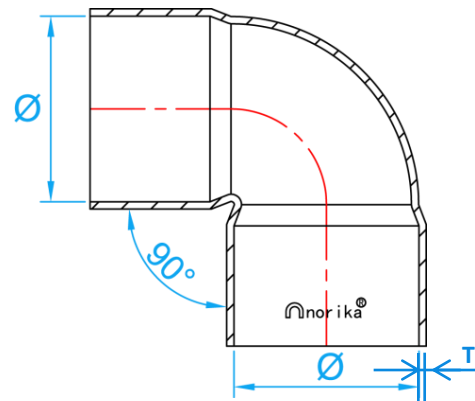


CAPILLARY FITTING

90° ELBOW



COMPLY WITH BS EN 1254-1



CROSS SECTIONAL VIEW

COMPONENTS PARTS

PARTS	MATERIAL
REDUCER	COPPER

DIMENSIONS

SKU	DN Ø (mm)	T (mm)	WEIGHT (Kg)	PCS/CTN
MBLE90015	15	0.7	0.011	1250
MBLE90020	22	0.9	0.028	450
MBLE90025	28	0.9	0.046	250
MBLE90035	35	1.0	0.087	100
MBLE90042	42	1.1	0.134	70
MBLE90050	54	1.4	0.224	40
MBLE90065	67	1.7	0.356	22
MBLE90080	76	1.7	0.480	16
MBLE90100	108	2.1	1.433	5
MBLE90150	159	2.5	2.725	2

 Note: The weight tolerance standard is $\pm 5\%$